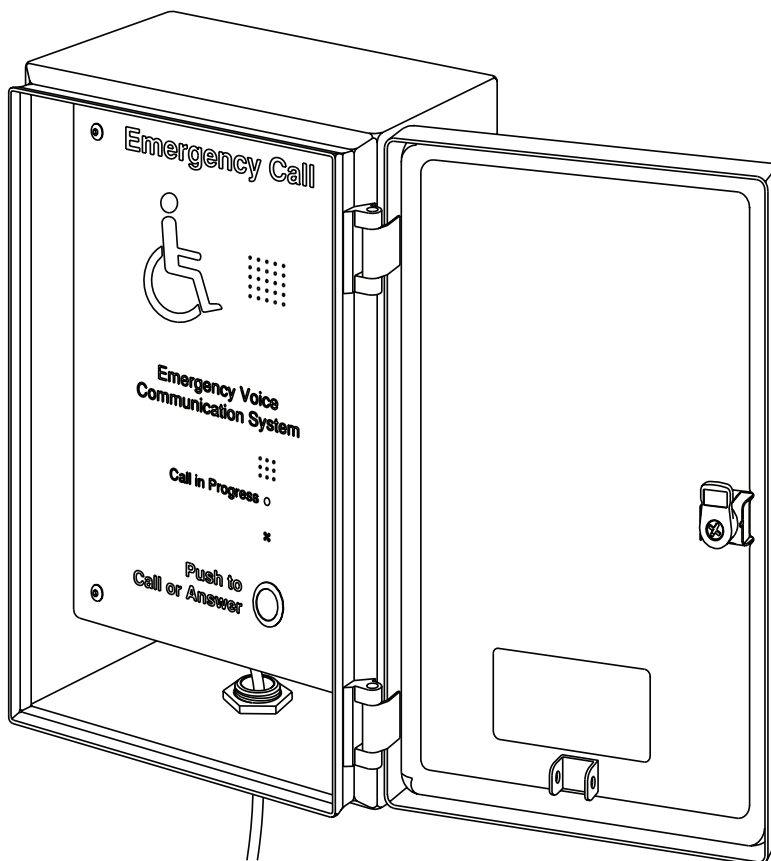
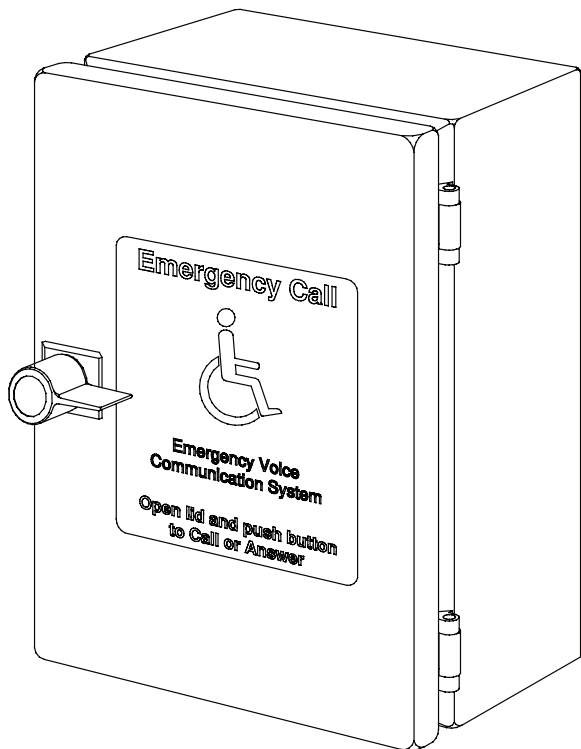


Installation Instructions



IMPORTANT

THIS SECTION MUST BE READ PRIOR TO THE INSTALLATION OF THIS PRODUCT

This equipment must only be installed by a suitably skilled and technically competent person. No responsibility can be accepted by the manufacturer or distributors of this product for any misinterpretation of an instruction, or guidance note, or for the compliance of the system as a whole.

Overview

The SigTEL BF359/1 IP66 Weatherproof Enclosure provides a weatherproof housing (to IP66 rating) for the SigTEL EVC302F flush-mounted Type B outstation.

Note: The BF359/1 is NOT compatible with the SigTEL EVC302S surface-mounted Type B outstation and is only weatherproof to IP66 if it is correctly installed in accordance with these instructions and enclosure manufacturers recommendations.

Accessories supplied with the BF359/1

Handle (Type SZ 2533)

Mounting plate (stainless steel)

Four M4 screw sets (for fixing the EVC302F base to the mounting plate)

Four M6 x 10 head screws and washers (for fixing the mounting plate in the base of the BF359/1)

Plastic plug (for insertion into the breather hole)

Fit the handle (Type SZ 2533)

Disassemble the existing locking mechanism on the front door of the BF359/1. See Figure 1 below.

Fit the SZ 2533 handle (supplied with accessories) to the front door of the BF359/1 and reassemble. See Figure 2 below.

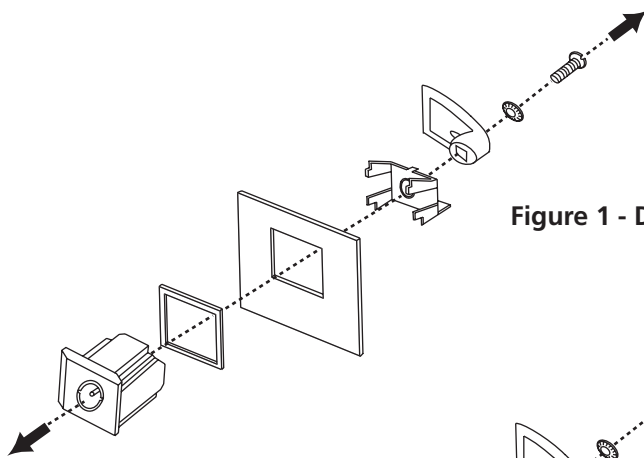


Figure 1 - Disassembly of existing locking mechanism

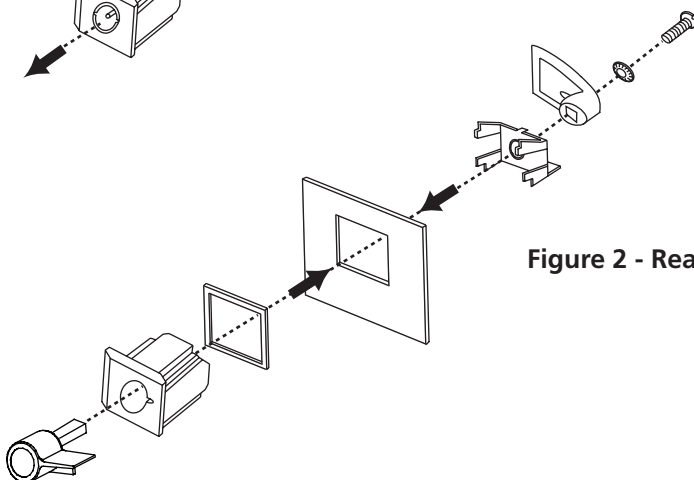


Figure 2 - Reassembly of new handle

Cut hole in bottom of the BF359/1

Cut a 20mm hole in a central position in the bottom of the BF359/1. See Figure 3 below.

Note: Do not cut holes in the top or sides of the box, otherwise water will collect around the holes and eventually seep through and cause corrosion.

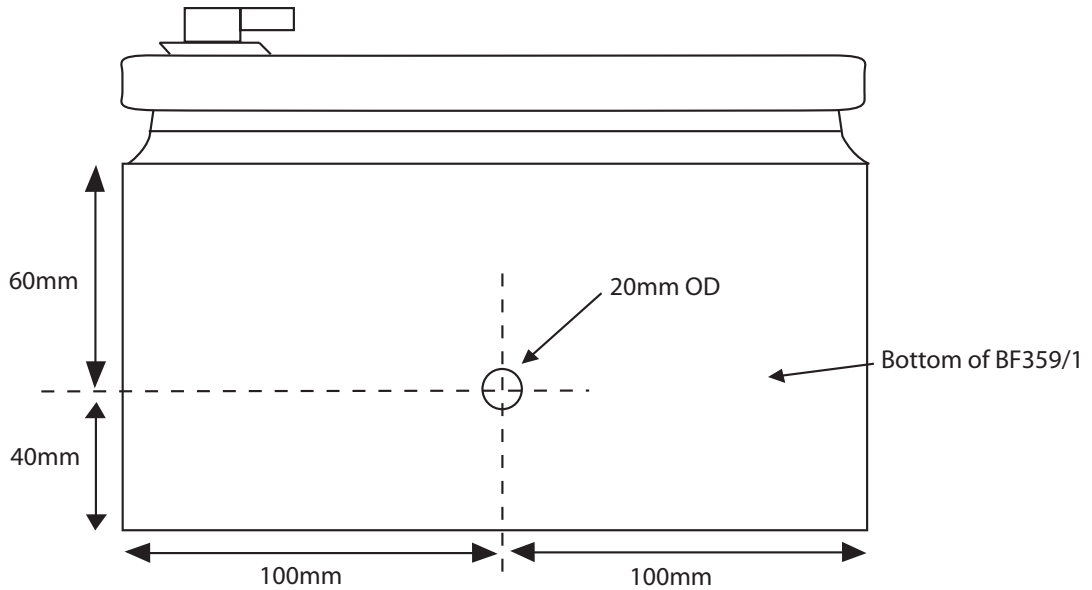


Figure 3 - Bottom hole

Location and fixing

The BF359/1 is a surface-mounted enclosure with four mounting holes provided. It should normally be wall-mounted on a flat surface, 0.9 to 1.2 metres above the floor, where it is easily accessible and free from obstruction.

Fix the BF359/1 to a wall using four No.8 screws and wall plugs (or similar). Use silicone sealant and penny washers to exclude moisture ingress. See Figure 4 right.

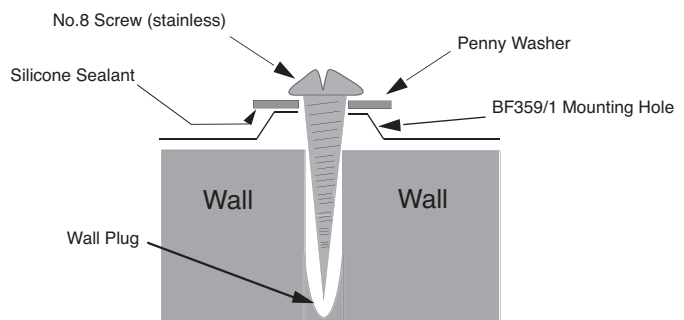


Figure 4 - Fixing screw

Fit conduit

Fit conduit to the hole in the bottom of the BF359/1. See Figure 5.

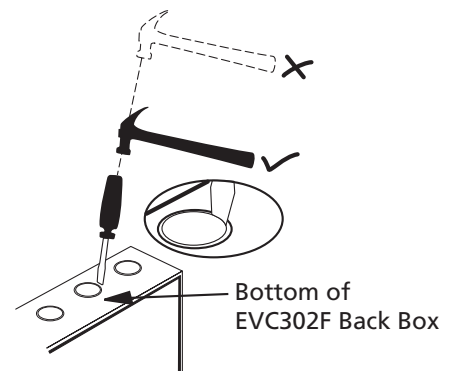
Cable entry

All cables should be fed into the bottom of the EVC302F via the knockouts provided on the EVC302F back box.

Remove one knockout from the centre, bottom of the EVC302F back box.

Note: Knockouts should be removed with a sharp, light tap using a flat 6mm broadsided screwdriver, as shown in diagram (right).

Fit a good quality 20mm blind grommet in the knockout removed. Make a small incision in the grommet for the cable to enter. The incision should be smaller than the cable so there is no ingress.



Drill the mounting plate

Drill the stainless steel mounting plate (supplied with accessories) to suit the EVC302F back box. Drill 4 x 5mm holes as shown in template (Figure 6). Bolt the EVC302F back box to the mounting plate using M4 screw sets (supplied with accessories). See Figure 5.

Fit the mounting plate

Fit the stainless steel mounting plate (complete with mounted EVC302F back box) into the base of the BF359/1 using the four threaded mounting holes provided. Secure the plate in position using four M6 x 10 head screws and plain washers (supplied with accessories). See Figure 5 below.

Cable termination

Terminate the wiring as per the EVC302F instructions (Document No. DAU0303000).

Note: The circuit cabling is enhanced fire rated cable and classed as Extra Low Voltage (ELV). We recommend that field wiring tails of sufficient length are left inside the EVC302F back box to ensure adequate connection to the EVC302F terminals.

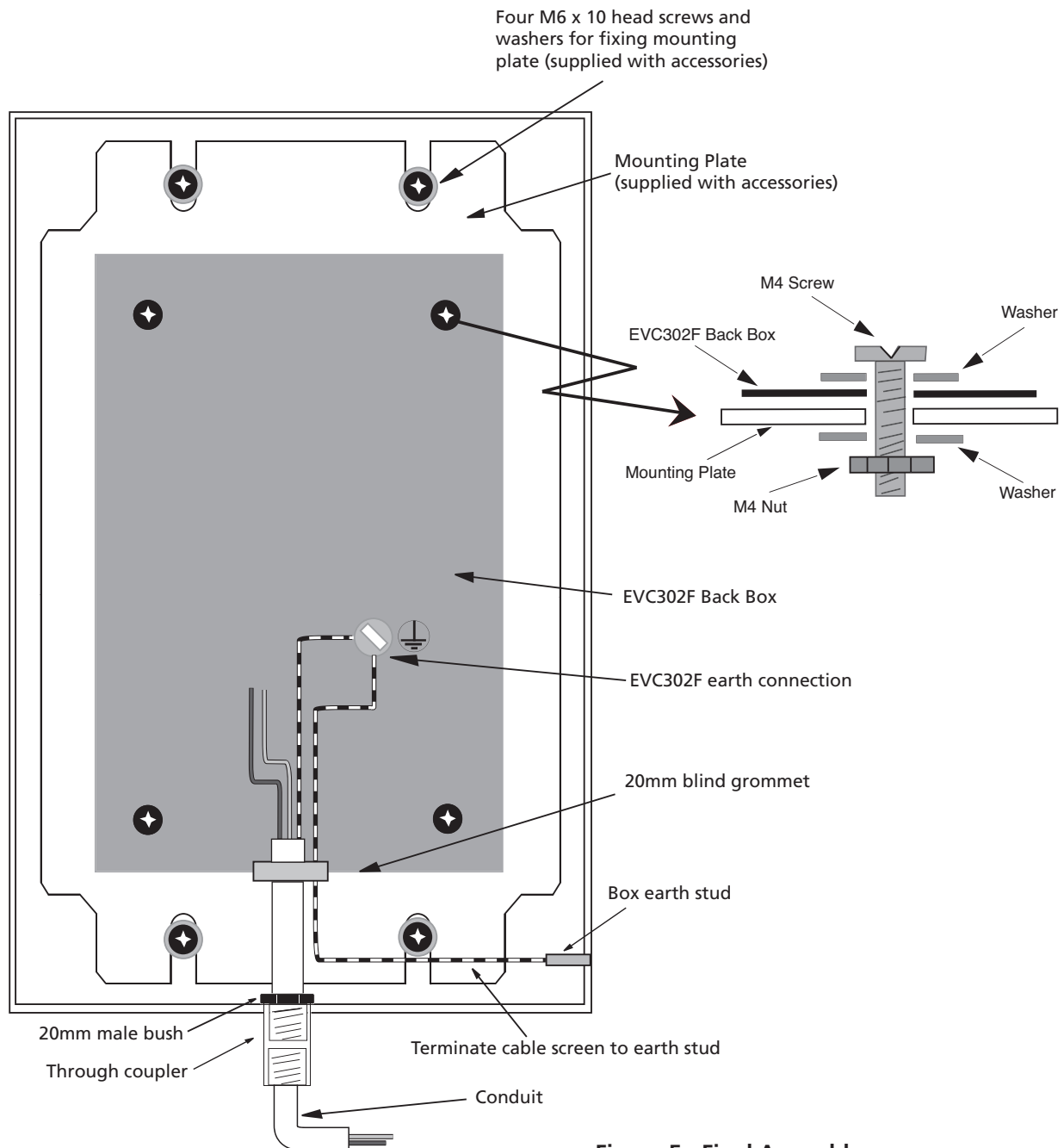


Figure 5 - Final Assembly

Errors and omissions excepted. The manufacturer's policy is one of continuous improvement and we reserve the right to alter product specifications at our discretion and without prior notice.

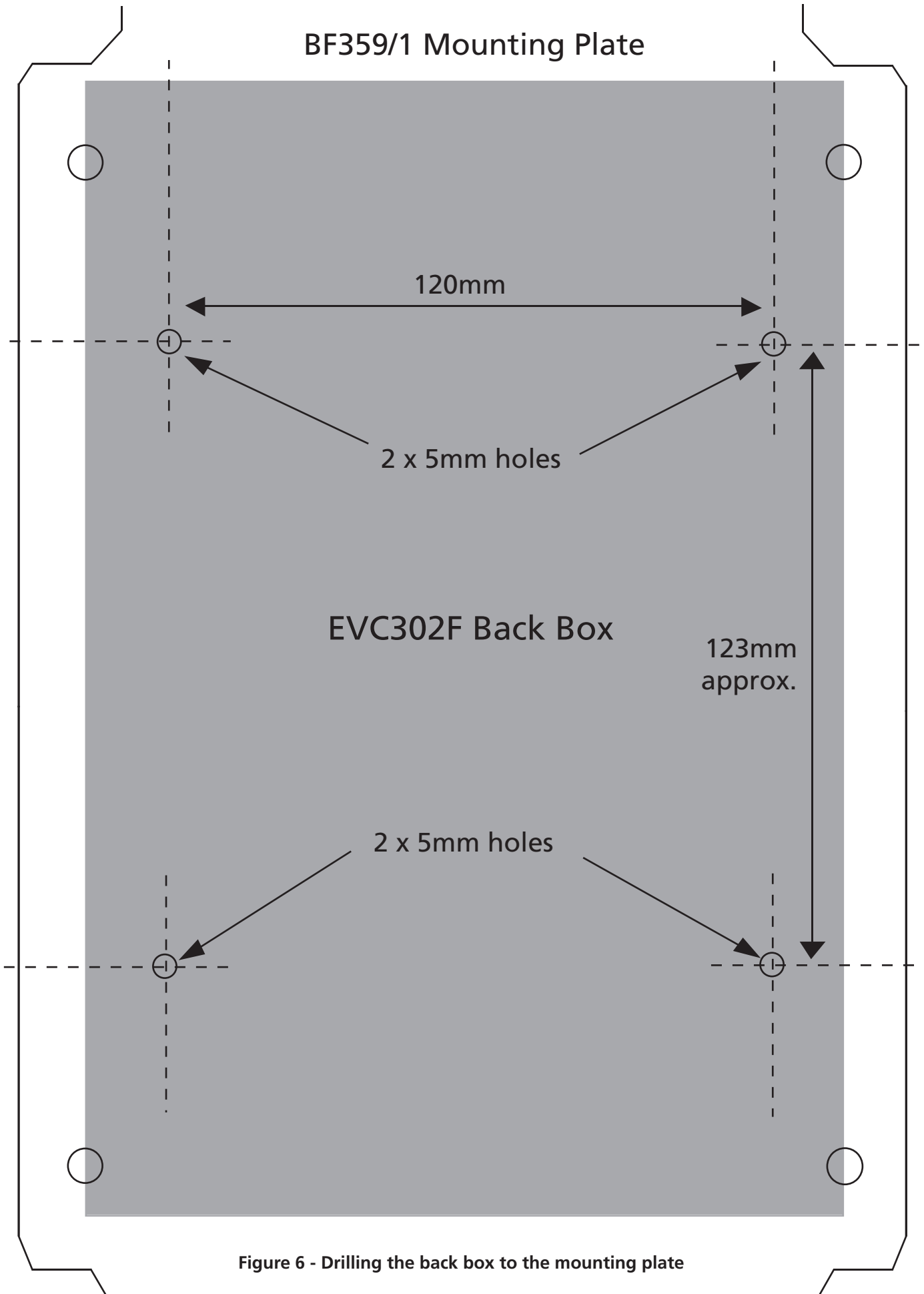


Figure 6 - Drilling the back box to the mounting plate